

ERSSEL

● ● ● TECHNOLOGY

TOWABLE BELT LOADER



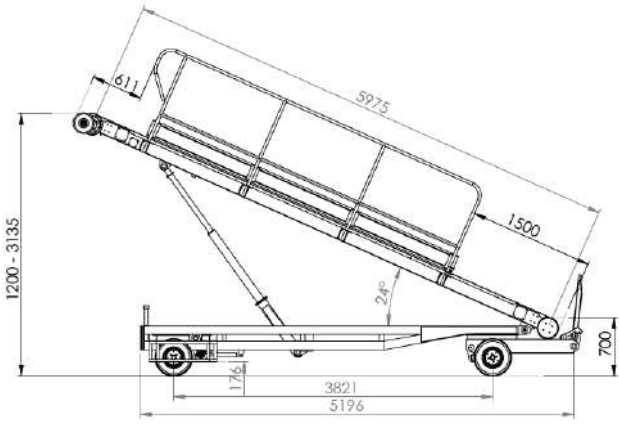
BEL 6.0-7.5

TOWABLE BELT LOADER BEL 6.0-7.5

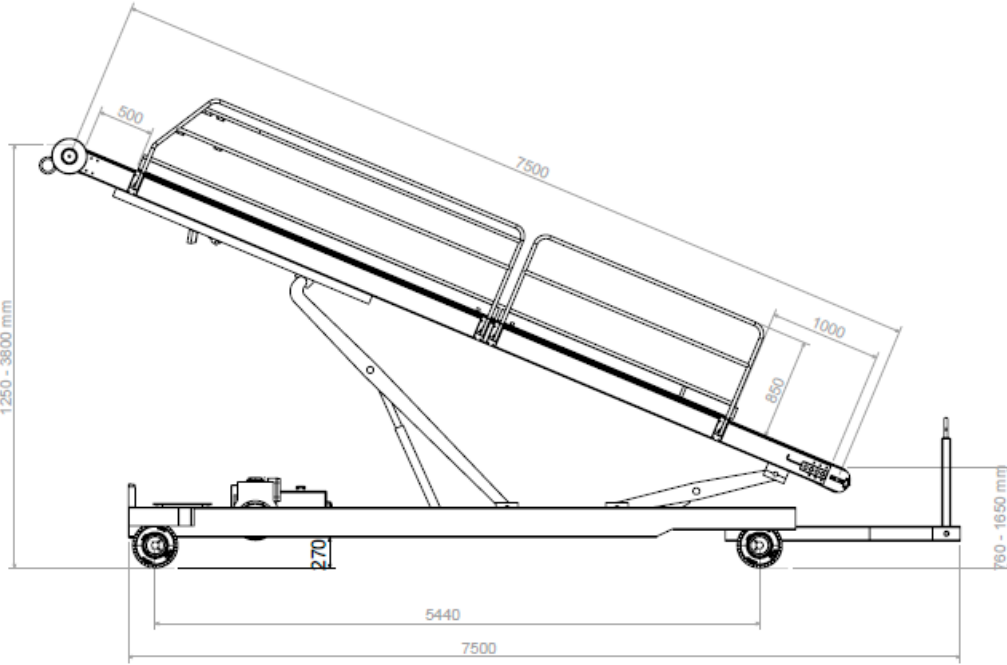
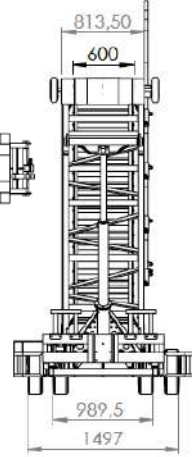
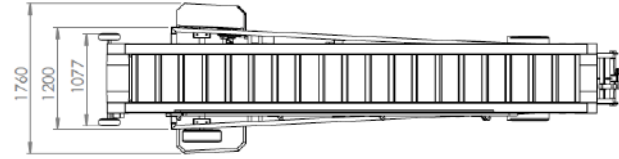
| Technical Specifications | BEL 6.0 | BEL 7.5 |
|-----------------------------------|---------------|----------------|
| Overall (Tow) Length | 6050 mm | 8500 mm |
| Overall Vehicle Width | 1760 mm | 1360 mm |
| Hydraulic Piston | Front only | Front and Rear |
| Boom Length | 6000 mm | 7500 mm |
| Boom Front Service Range (Height) | 1200-3135 mm | 1250-3800 mm |
| Boom Rear Working Range (Height) | 700 mm | 760-1650 mm |
| Boom Width | 800 mm | 800 mm |
| Belt Width | 600 mm | 600 mm |
| Belt Type | Supergrip | Supergrip |
| Belt Bed | Rollers | Rollers |
| Guard Rails | Left | Left |
| Wheel Base | 3820 mm | 5440 mm |
| Track Width (Front/Rear) | 990/1500 mm | 940/1350 mm |
| Tires (options available) | 400x100 Solid | 400x100 Solid |

| Engine and Powertrain | BEL 6.0-7.5 |
|-----------------------|--|
| Engine | Diesel (Hatz 1B30/1B40 or alternative) |
| Docking Kit | Hydraulic Direct Drive (No Gear) |
| Brakes | Tow-bar activated (Front) |
| Electrical | 12V DC |

| Performance Figures | BEL 6.0-7.5 |
|---------------------|------------------------|
| Tow Speed | up to 25 km/h |
| Belt Speed | 0-48 m/min, continuous |
| Belt Load, Max. | 135 kg/m |
| Belt Load, Single | 400 kg |



BEL 6.0



BEL 7.5

