

ERSEL

● ● ● TECHNOLOGY

SELF-PROPELLED BELT LOADER



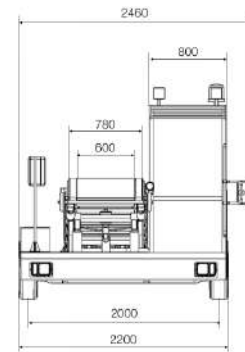
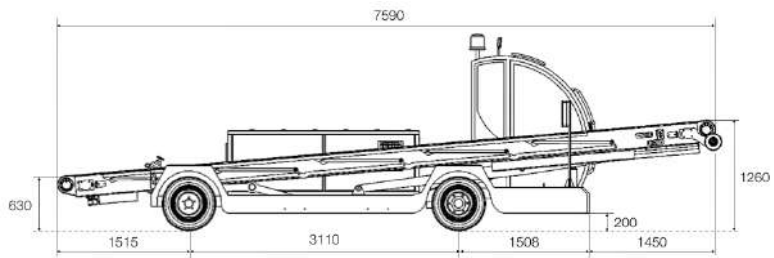
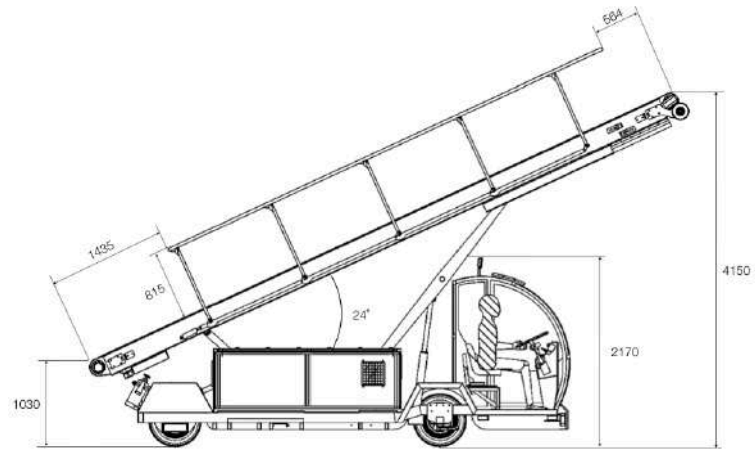
MOBEL 7.5 HD

SELF-PROPELLED BELT LOADER MOBEL 7.5 HD

Vehicle Dimensions	
Overall Vehicle Length	7590 mm
Overall Vehicle Width	2200 mm
Overall Vehicle Height (with Cabin)	2170 mm
Ground Clearance	200 mm
Wheel Base	3110 mm
Track Width (Front/Rear)	2000 mm
Boom Length	7500 mm
Boom Width	780 mm
Belt Width	600 mm
Boom Front Service Range (Height)	1260 - 4150 mm
Boom Rear Working Range (Height)	630 - 1030 mm
Boom Front/Rear Height at 24 degrees	1030 - 4150 mm
Weight (without Cabin)	3630 kg

Engine and Powertrain	
Engine	Deutz Diesel D2011 L04i (45.9kW/60HP at 2300 rpm)
Transmission	Hydrostatic
Steering	Hydraulic Steering
Brakes	Dual Piston Front Brakes with Hyd. Brake Booster
Front Axle	Steering Axle with Disc Brakes
Rear Axle	Wheel Hub Motors
Electric Sys.	12/24V DC, Battery 1 x 72Ah
Wheels/Tires	195/70 R15
Fuel Tank	Diesel, 60L
Hyd. Tank	Hydraulic Oil, 60L

Performance Figures	
Driving Speed	up to 25 km/h
Belt Speed	0-30 m/min, continuous
Belt Load, Max.	135 kg/m
Belt Load, Single	400 kg



Sensor Smart

Distance/Speed Control
Accurate Positioning
Collision Prevention
Ultrasonic Sensing

MOBEL 's ultrasonic sensors, when activated, enable automatic speed control in accordance with the vehicle's distance to the aircraft. The overall driving speed is reduced stepwise within zones, supported by contact sensitive switches to prevent any type of damage to the aircraft. Optional safety features can be added through our software such as blocking out cross-service functions from being active simultaneously.



Hydro Smooth

Sensitive Speed Control
Shiftless Driving



Rail-o-matic

Powered Guardrails
Remote Control

Flexible Cabin Option
Quick & Simple Disassembly

ERSEL
TECHNOLOGY

www.ersel.tc
info@ersel.tc

T: +90 216 5187225
F: +90 216 518 6979
Cavusoglu Mh. Yakacik Cd. 128/4
Kartal, Istanbul, Turkey